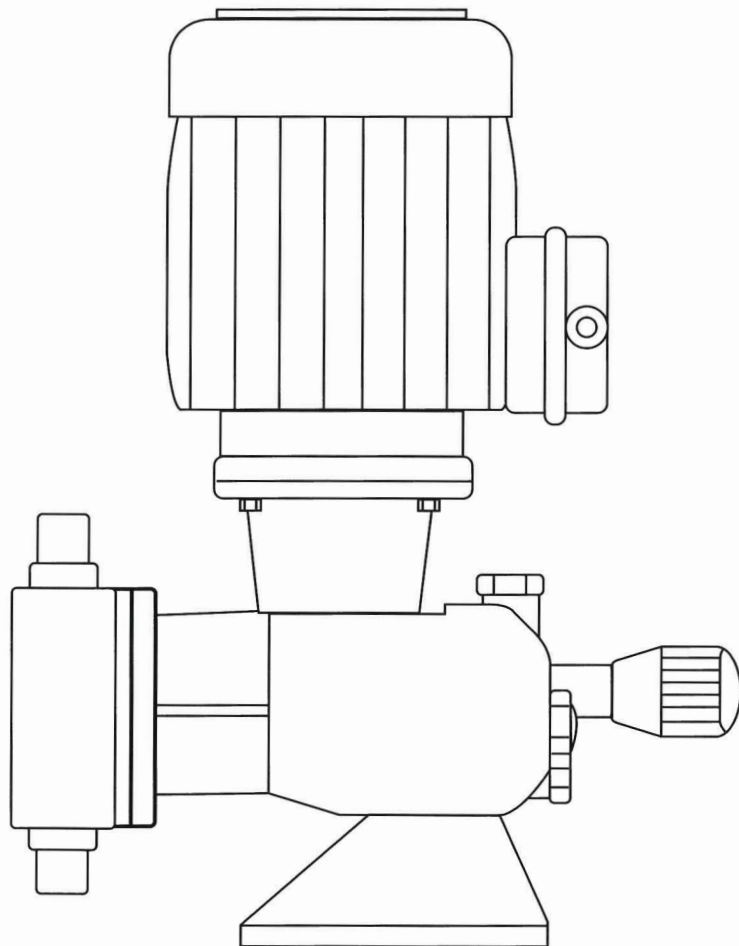


SERIE / TYPE

**UGD**

**POMPA  
DOSATRICE**

**METERING  
PUMP**



Elettropompa dosatrice a membrana diretta  
regolazione manuale da 0÷100%  
motore trifase o monofase

Direct diaphragm metering pump  
manual adjustment from 0÷100%  
three or singlephase motor

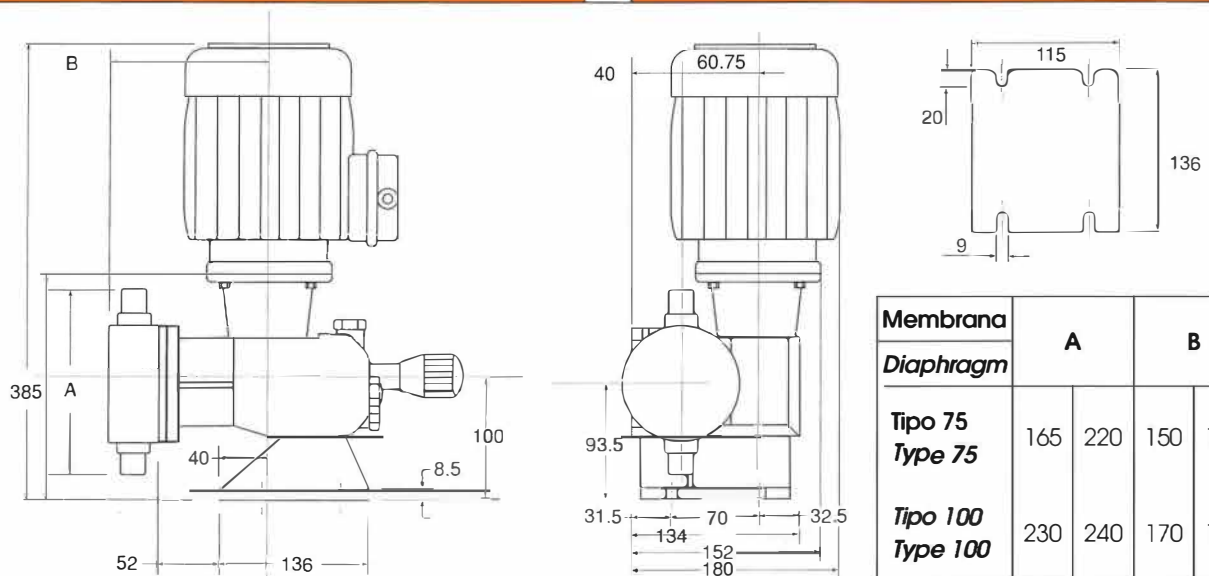
## DATI CARATTERISTICI

## PERFORMANCE

Modello	Corsa mm	Membrana mm	Colpi al 1'	Motore Kw	Portata lt/h			Attacchi	
Type	Stroke mm	Diaphragm mm	Speed s. per 1'	Motor Kw	Capacity lt/h			Connections	
					BAR				
					0	3	6	01	03
UGD	10	75	40	0.18 6P	65	62	60	1/2 GM	1/2 GF
UGD	10	75	60	0.25 4P	100	85	80	1/2 GM	1/2 GF
UGD	10	75	120	0.25 4P	200	185	180	1/2 GM	1/2 GF
UGD	10	100	60	0.37 4P	210	180	—	1/2 GM	1/2 GF
UGD	10	100	120	0.37 4P	400	360	—	1/2 GM	1/2 GF

## DIMENSIONI D'INGOMBRO

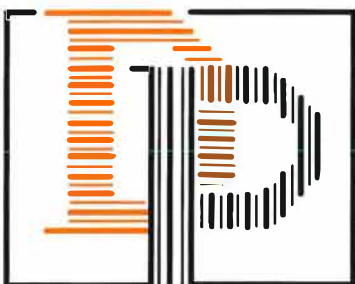
## OVERALL DIMENSIONS



Membrana Diaphragm	A		B	
Tipo 75 Type 75	165	220	150	170
Tipo 100 Type 100	230	240	170	190

### COSTRUZIONE / CONSTRUCTIONS

	01	03
Corpo Testata / Pump Head	AISI 316	PVC
Membrana / Diaphragm	NBR/PTFE	NBR/PTFE
Valvole / Valves	AISI 316	PYREX
Sede Valvola / Valve Seat	AISI 316	PVC
Guarnizioni / Valve Seal	PTFE	PTFE



**D.P. POMPE s.r.l.**

Via Brunelleschi, 26  
20093 COLOGNO MONZESE  
(Milano) - Italy  
Tel. +39 375 686 6996  
www.dppompe.com  
e-mail: espango@espango.it



**D.P. POMPE s.r.l.**

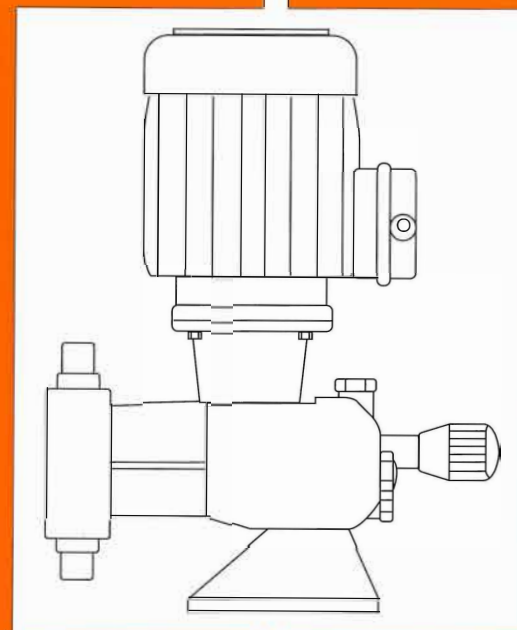
Via Brunelleschi, 26 - I - 20093 COLOGNO MONZESE (MI)  
Tel. +39 375 686 6996  
[www.dppompe.com](http://www.dppompe.com) - e-mail: [espango@espango.it](mailto:espango@espango.it)

SERIE / TYPE

**UG**

POMPA  
DOSATRICE

METERING  
PUMP



### DATI CARATTERISTICI

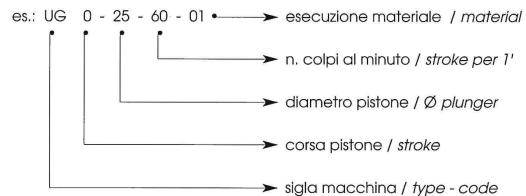
### PERFORMANCE

Modello	Corsa mm	Pistone mm	Colpi al 1'	Portata max l/h	Press. max Bar 01-02	03	Attacchi 01-02	03	Motore Kw
Type	Stroke mm	Plunger mm	Speed s. per 1'	Capacity max l/h	Max. Pressure Bar 01-02	03	Connections 01-02	03	Motor Kw
UG.0	10	10	60	2.8	30 (150)**	10	3/8" Gm	3/8" Gf	0,25
UG.1	15	10	60	4.2	30 (150)**	10	3/8" Gm	3/8" Gf	0,25
UG.0	10	10	120	5.6	30 (150)**	10	3/8" Gm	3/8" Gf	0,25
UG.1	15	10	120	8.4	30 (150)**	10	3/8" Gm	3/8" Gf	0,25
UG.0	10	20	60	11.3	30 (47)**	10	3/8" Gm	3/8" Gf	0,25
UG.1	15	20	60	16.9	30 (47)**	10	3/8" Gm	3/8" Gf	0,25
UG.0	10	20	120	22	30 (47)**	10	3/8" Gm	3/8" Gf	0,25
UG.1	15	20	120	33	30 (47)**	10	3/8" Gm	3/8" Gf	0,25
UG.0	10	25	60	17	30	10	3/8" Gm	3/8" Gf	0,25
UG.1	15	25	60	26	30	10	3/8" Gm	3/8" Gf	0,25
UG.0	10	25	120	35	30	10	3/8" Gm	3/8" Gf	0,25
UG.1	15	25	120	52	30	10	3/8" Gm	3/8" Gf	0,25
UG.0	10	38	60	40	13	10	1/2" Gm	1/2" Gf	0,25
UG.1	15	38	60	61	13	10	1/2" Gm	1/2" Gf	0,25
UG.0	10	38	120	81	13	10	1/2" Gm	1/2" Gf	0,25
UG.1	15	38	120	122	13	10	1/2" Gm	1/2" Gf	0,25
UG.0	10	48	60	64	8	8	1/2" Gm	1/2" Gf	0,25
UG.1	15	48	60	96	8	8	1/2" Gm	1/2" Gf	0,25
UG.0	10	48	120	128	8	8	1/2" Gm	1/2" Gf	0,25
UG.1	15	48	120	192	8	8	1/2" Gm	1/2" Gf	0,25
UG.0	10	54	60	82	6	6	3/4" Gf	3/4" Gf	0,37
UG.1	15	54	60	123	6	6	3/4" Gf	3/4" Gf	0,37
UG.0	10	54	120	164	6	6	3/4" Gf	3/4" Gf	0,37
UG.1	15	54	120	246	6	6	3/4" Gf	3/4" Gf	0,37
UG.0	10	64	60	115	4	4	3/4 Gf	3/4" Gf	0,37
UG.1	15	64	60	172	4	4	3/4 Gf	3/4" Gf	0,37
UG.0	10	64	120	231	4	4	3/4 Gf	3/4" Gf	0,37
UG.1	15	64	120	347	4	4	3/4 Gf	3/4" Gf	0,37

\*\* Valori di pressione max ammissibile con pompa non di serie. Le pompe vengono fornite con motore elettrico CVE Kw 0,25 V 220/400/3/50 - IP 55 - Cl.F - Forma B 14.

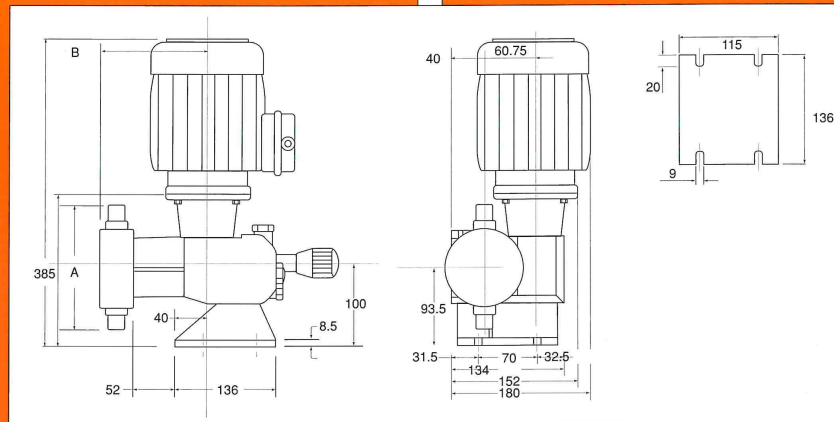
\*\* Max. pressure available with not standard pumps. Standard electric motors are IEFC Kw 0,25 V 220/400/3/50 - IP 55 - Cl.F - Frame B 14.

Sigla del modello  
Pump code



### DIMENSIONI D'INGOMBRO

### OVERALL DIMENSIONS



Corpo testata Pump head	A		B	
	01	03	01	03
10	200*	245*	120	120
20	130	160	120	120
25	130	160	120	120
38	130	185	125	140
48	140	190	150	150
54	225	215	150	145
64	185	215	115	145

\* Doppie valvole / Double valves

### COSTRUZIONE / CONSTRUCTIONS

Particolari/Parts	01	02	03	04	05	06	07	08	09	10	11
Corpo Testata / Pump Head	A 316	A 304	PVC	A 316	A 420	A 316	PVC	A 316	PVC	A 316	A 316
Pistone / Plunger	A 316	A 304	Ceramica	Ceramica	A 420	A 316	Ceramica	A 316	Ceramica	A 316	Ceramica
Valvole / Valves	A 316	A 304	Pyrex	A 316	A 420	A 316	Pyrex	A 316	Pyrex	A 316	A 316
Sede Valvola / Valve Seat	A 316	A 304	PVC	A 316	A 420	A 316	PVC	A 316	PVC	A 316	A 316
Guarniz. Pistone / Plunger Seal	Viton	Viton	Viton	Viton	Dutral	PTFE	PTFE	Dutral	Dutral	Silicone	Adiprene

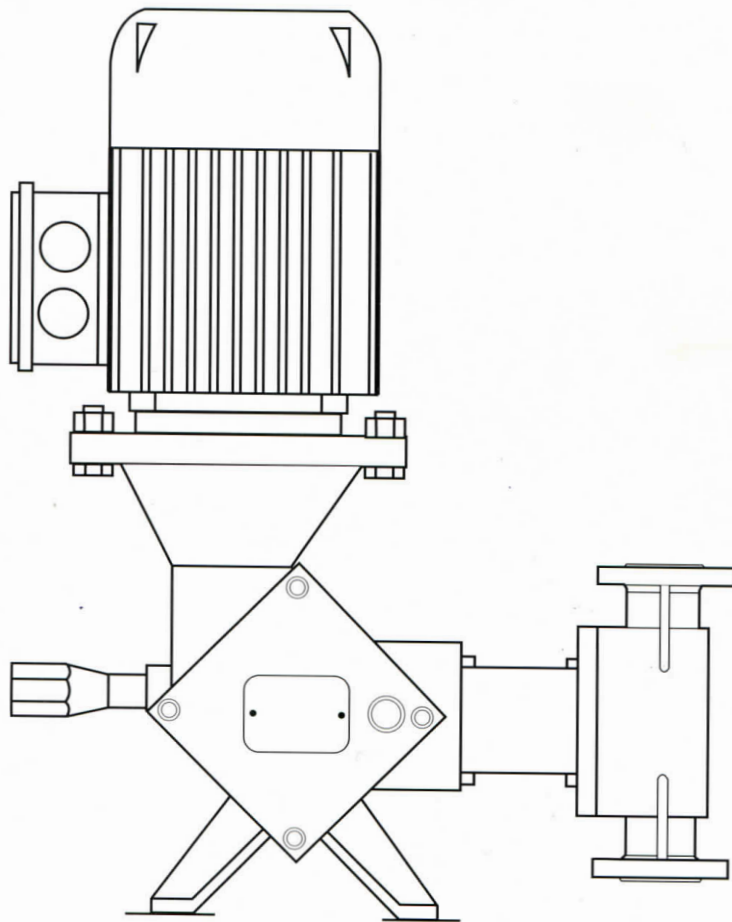
SERIE / TYPE

**M**

**25-35**

**POMPA  
DOSATRICE**

**METERING  
PUMP**





## DATI CARATTERISTICI

## PERFORMANCE

Modello	Corsa mm	Pistone mm	Colpi al 1'	Portata max l/h	Press. max Bar		Press. max Bar	
					01-02	03	01-02	03
Type	Stroke mm	Plunger mm	Speed s. per 1'	Capacity max l/h	Max. Pressure Bar		Connections	
					01-02	03	01-02	03
M	25	25	60	44	30 (60)**	10	1/2" Gm	1/2" Gf
M	35	25	60	62	30 (60)**	10	1/2" Gm	1/2" Gf
M	25	25	120	88	30 (60)**	10	1/2" Gm	1/2" Gf
M	35	25	120	124	30 (60)**	10	1/2" Gm	1/2" Gf
M	25	38	60	96	28	10	DN 15	DN 15
M	35	38	60	135	28	10	DN 15	DN 15
M	25	38	120	192	28	10	DN 15	DN 15
M	35	38	120	270	28	10	DN 15	DN 15
M	25	48	60	163	17	10	DN 15	DN 15
M	35	48	60	228	17	10	DN 15	DN 15
M	25	48	120	326	17	10	DN 15	DN 15
M	35	48	120	456	17	10	DN 15	DN 15
M	25	64	60	289	9	9	DN 25	DN 25
M	35	64	60	405	9	9	DN 25	DN 25
M	25	64	120	578	9	9	DN 25	DN 25
M	35	64	120	810	9	9	DN 25	DN 25
M	25	89	60	559	5	5	DN 40	DN 40
M	35	89	60	783	5	5	DN 40	DN 40
M	25	89	120	1118	5	5	DN 40	DN 40
M	35	89	120	1566	5	5	DN 40	DN 40

\*\* Valori di pressione max ammissibile con pompa non di serie.  
Le pompe vengono fornite con motore trifase CVE HP 1 o 1,5  
V 220/380 50 Hz IP 55 Forma B 5.

\*\* Max. pressure available with not standard pumps.  
Standard motors are TEFC threeephases HP 1 - 1,5  
V 220/380 50 Hz IP 55 protection, B 5 construction.

### Particolari / Parts

### Esecuzioni / Executions

	01	02	03	04	05
Corpo testata / Pump head	AISI 316	AISI 304	PVC	AISI 316	AISI 304
Pistone / Plunger	AISI 316	AISI 304	CERAMICA	CERAMICA	AISI 420
Valvola / Valve	AISI 316	AISI 304	PIREX	AISI 316	AISI 420
Sede valvola / Valve seat	AISI 316	AISI 304	PVC	AISI 316	AISI 420
Guarnizione pistone / Plunger seal	VITON	VITON	VITON	VITON	DUTRAL





**D.P. POMPE s.r.l.**

Via Brunelleschi, 26 - I - 20093 COLOGNO MONZESE (MI) Tel.

+39 375 686 6996

[www.dppompe.com](http://www.dppompe.com) - e-mail: [espango@espango.it](mailto:espango@espango.it)